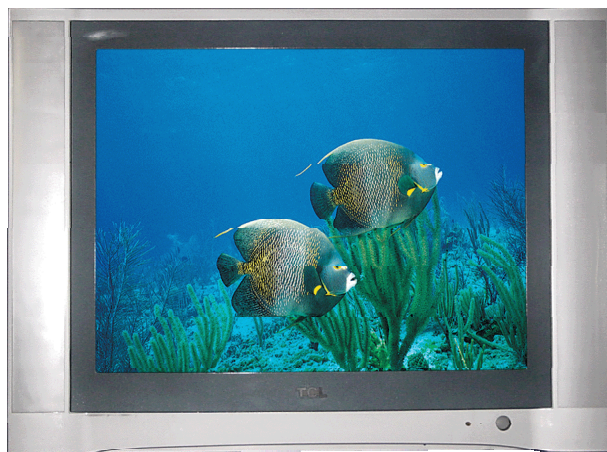


# TELEFUNKEN

# SERVICE MANUAL

---

---



**TK 1429 X**

---

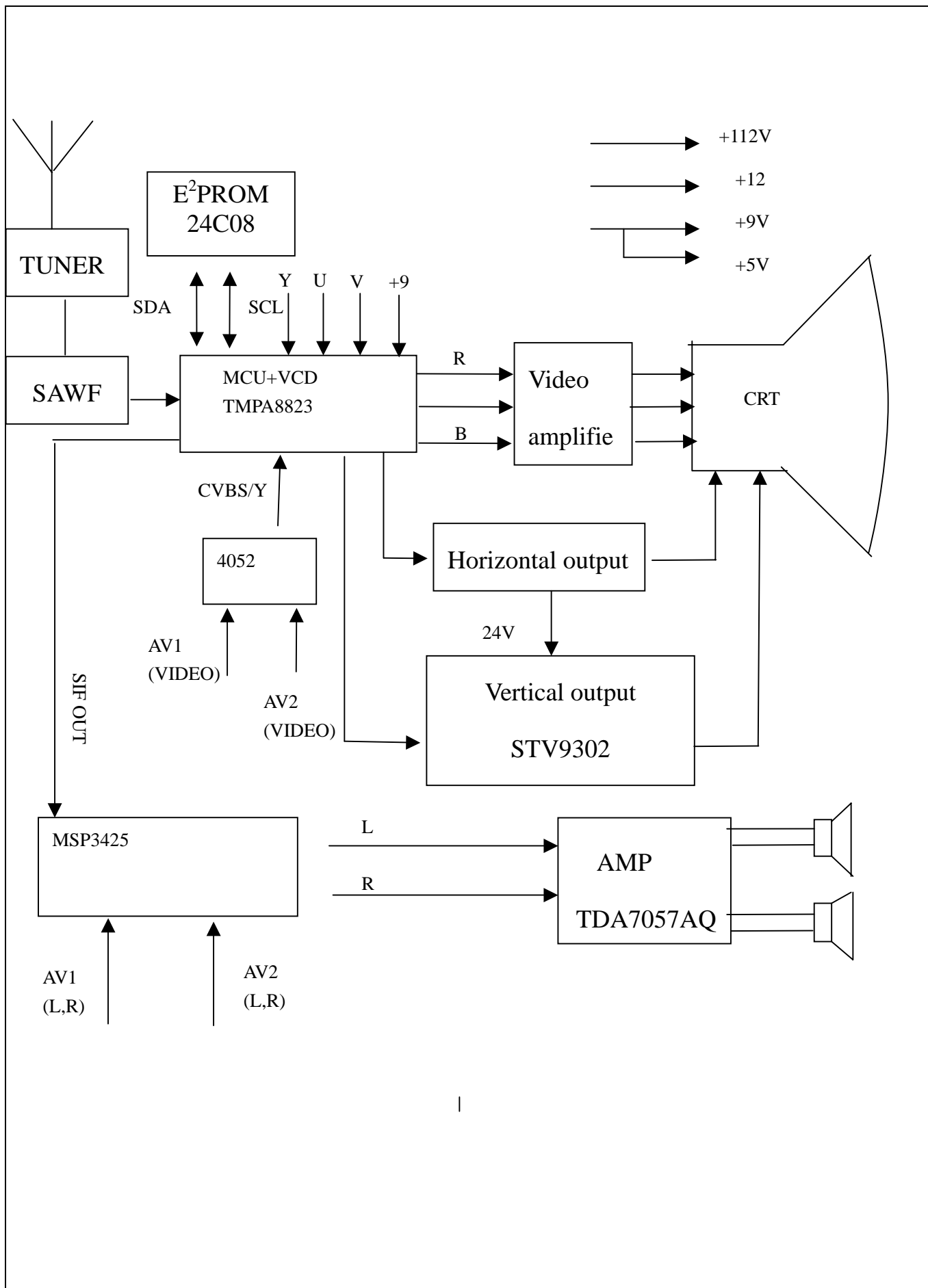
---

<b>1. Caution.....</b>	<b>2</b>
<b>2. Specification.....</b>	<b>6</b>
<b>3. BOM List .....</b>	<b>9</b>
<b>4. Alignment Procedure.....</b>	<b>30</b>
<b>5. Block Diagram.....</b>	<b>39</b>
<b>6. Schematic Diagram.....</b>	<b>40</b>
<b>7. PCB Layout.....</b>	<b>41</b>
<b>8. Explode View Diagram.....</b>	<b>43</b>

---

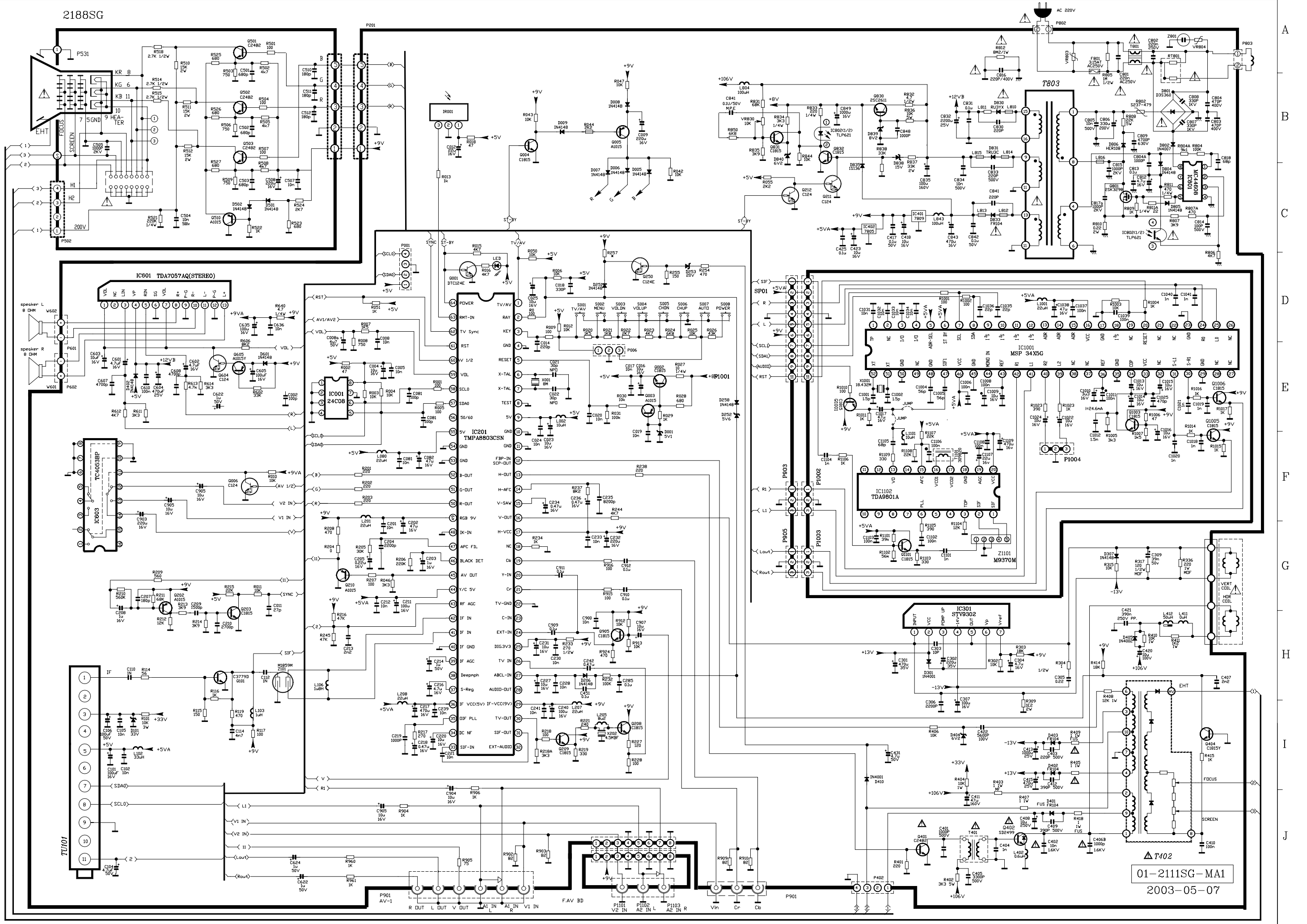
---

This manual is the latest at the time of printing, and does not include the modification which may be made after the printing, by the constant improvement of product.



A  
B  
C  
D  
E  
F  
G  
H  
I  
J

A  
B  
C  
D  
E  
F  
G  
H  
I  
J



01-211SG-MA1  
2003-05-07





